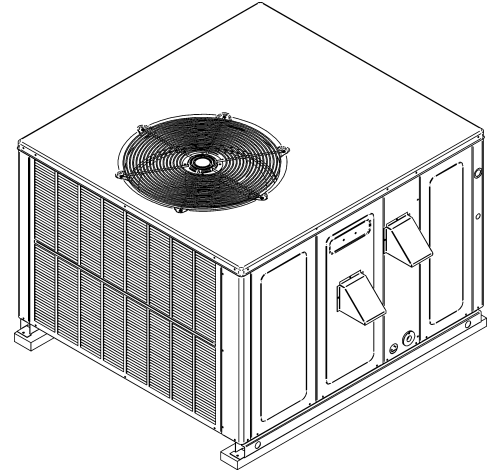




REPAIR PARTS

GPDM3 Dual Fuel Residential Package Gas Unit

GPDM32406041AA
GPDM33008041AA
GPDM33608041AA
GPDM34210041AA
GPDM34810041AA



This manual is to be used by qualified technicians only.

© 2022 Goodman Manufacturing Company, L.P. ♦ 5151 San Felipe St, Suite 500 ♦ Houston, TX 77056

Important Information

Index

Functional Parts List	3
Illustration and Parts	4 - 13

Views shown are for parts illustrations only, not servicing procedures.

Text Codes:

AR - As Required

NA - Not Available

NS - Not Shown

00000000 - See Note

QTY - Quantity Example (QTY 3) (If Quantity not shown, Quantity = 1)

M - Model Example (M1) (If M Code not shown, then part is used on all Models)

Expanded Model Nomenclature:

Example M1 - Model#1 M2 - Model#2 M3 - Model#3

Goodman Manufacturing Company, L.P. is not responsible for personal injury or property damage resulting from improper service. Review all service information before beginning repairs.

Warranty service must be performed by an authorized technician, using authorized factory parts. If service is required after the warranty expires, Goodman Manufacturing Company, L.P. also recommends contacting an authorized technician and using authorized factory parts.

Goodman Manufacturing Company, L.P. reserves the right to discontinue, or change at any time, specifications or designs without notice or without incurring obligations.

For assistance within the U.S.A. contact:
Homeowner Support
Goodman Manufacturing Company, L.P.
19001 Kermier Road
Waller, Texas 77484
877-254-4729-Telephone
713-863-2382-Facsimile

For assistance outside the U.S.A. contact:
International Division
Goodman Manufacturing Company, L.P.
19001 Kermier Road
Waller, Texas 77484
713-861-2500-Telephone
713-863-2382-Facsimile

Functional Parts

Part No: **Description:**

0150G00003	BLADE, FAN 26 SWEEP WING (M4, M5)
B1368058	Blower Wheel (10 X 8) (M1)
B1368000	BLOWER WHEEL (11 X 10) (M4, M5)
CAB050400440CT	CAP, 5/40 MFD/440V RD - BPRF (M1, M2, M3)
CAB050450440CT	CAP, 5/45 MFD/440V RD - BPRF (M4, M5)
ZP21K5EPFV130	COMP,21300,208/230/60/1 (M1)
ZP25K5EPFV130	COMP,25200,208/230/60/1 (M2)
ZP34K5EPFV130	COMP,34500,208/230/60/1 (M4)
ZP39K5EPFV130	COMP,39000,208/230/60/1 (M5)
ZP31K7EPFV130	COMPRESSOR, COPELAND (M3)
CONT1P030024V	CONT 1 POLE 30 AMP 24VAC
0130M00099	CONTROL, DEFROST (M1, M2, M3)
0130M00101	CONTROL, DEFROST (M4, M5)
0130M00659	CONTROL, DEFROST (M4)
0131M00750M	CONTROLLERLESS MOTOR (M1, M2, M3)
0131M00747M	CONTROLLERLESS MOTOR (M4, M5)
0150G00002	FAN BLADE SWP/W (M2, M3)
0150M00008	FAN BLADE, 22" TNT203-25 (M1)
0130F00010	FLAME SENSOR
0151F00000P	GAS VALVE
0130M00074	HIGH PRESSURE SWITCH
0130F00014	IGNITOR
10728344	LIMIT SWITCH (M4, M5)
10728342	LIMIT SWITCH (M1, M2, M3)
10123532	LIMIT-RESET MAN-GRAY (M2, M3, M4, M5)
10123529	LIMIT-RESET MAN-GREEN (M1)
0130M00075	LOW PRESSURE SWITCH
0131M00847	MOTOR, 1/4 HP, 1 SP, 6 PL (M4, M5)
0131M00836	MOTOR, 1/4HP,1SP,8PL,AL (M2, M3)
0131M00979	MOTOR, 1/6 HP, 1SP, 8PL,AL (M1)
0131G00001	MOTOR, ID BLOWER
PCBDM133	PCB, DEFROST CONTROL
PCBAG127	PCB, IGNITION, DSI, 2 STG
11112501	PRESSURE SWITCH
0131G00158	PROGRAMMED CONTROLLER (M1)
0131G00159	PROGRAMMED CONTROLLER (M2)
0131G00160	PROGRAMMED CONTROLLER (M3)
0131G00161	PROGRAMMED CONTROLLER (M4)
0131G00162	PROGRAMMED CONTROLLER (M5)
0130M00025	RELAY SPDT
0151R00069	REVERSING VALVE (M1, M2, M3)
0151R00071	REVERSING VALVE (M4, M5)
0130M00138	TRANSFORMER 208/230 24V
D6723303	WHEEL-BLOWER (M2, M3)

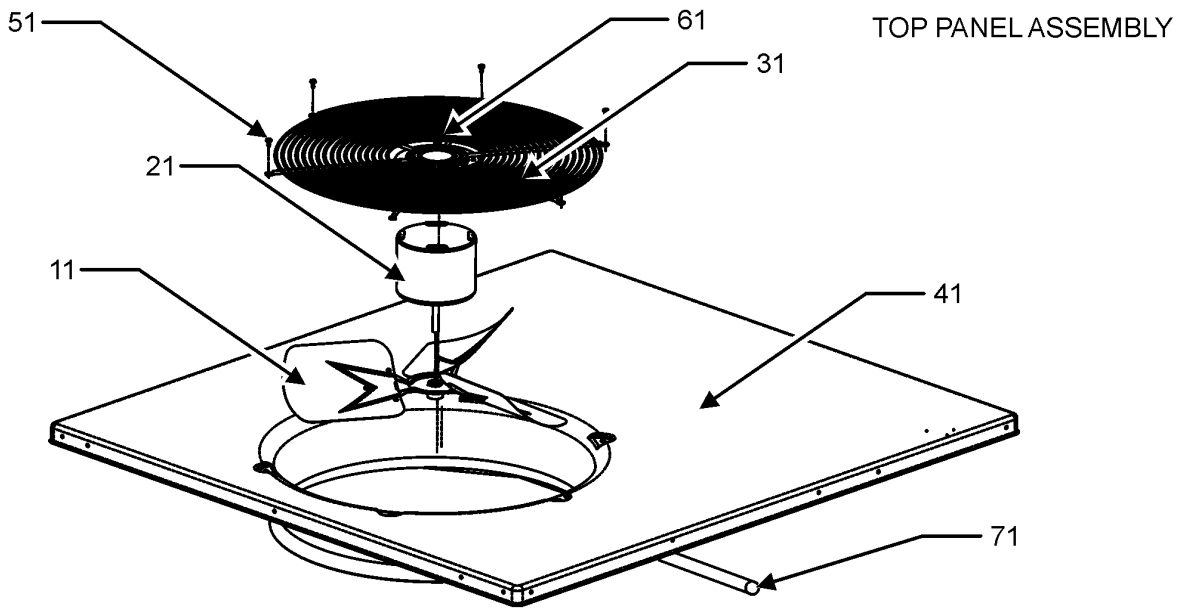
Expanded Model Nomenclature

M1 - GPDM32406041AA
M2 - GPDM33008041AA
M3 - GPDM33608041AA
M4 - GPDM34210041AA
M5 - GPDM34810041AA

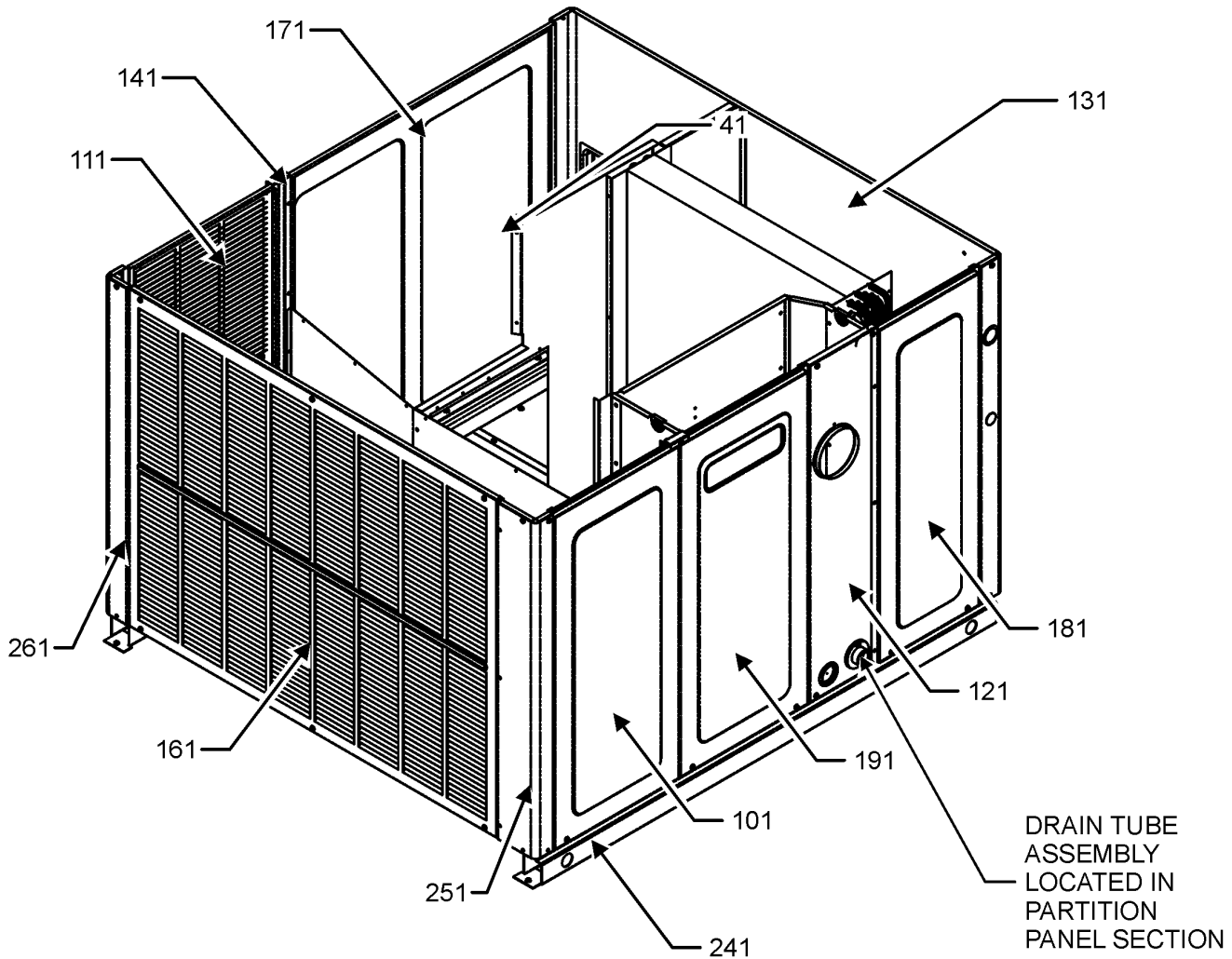
SPECIAL PARTS

TP-109B	AL COIL-APPROVED CLEANING LIST
PWGMFG	GOODMAN PRODUCT WARRANTY
HI-116G	HOMEOWNERS MANUAL
IOG-3028	INSTALLATION INSTRUCTIONS

Top Panel and Cabinet Assembly



CABINET ASSEMBLY



Top Panel and Cabinet Assembly

Ref. Part No:	Part No:	Description:	Ref. Part No:	Part No:	Description:
---------------	----------	--------------	---------------	----------	--------------

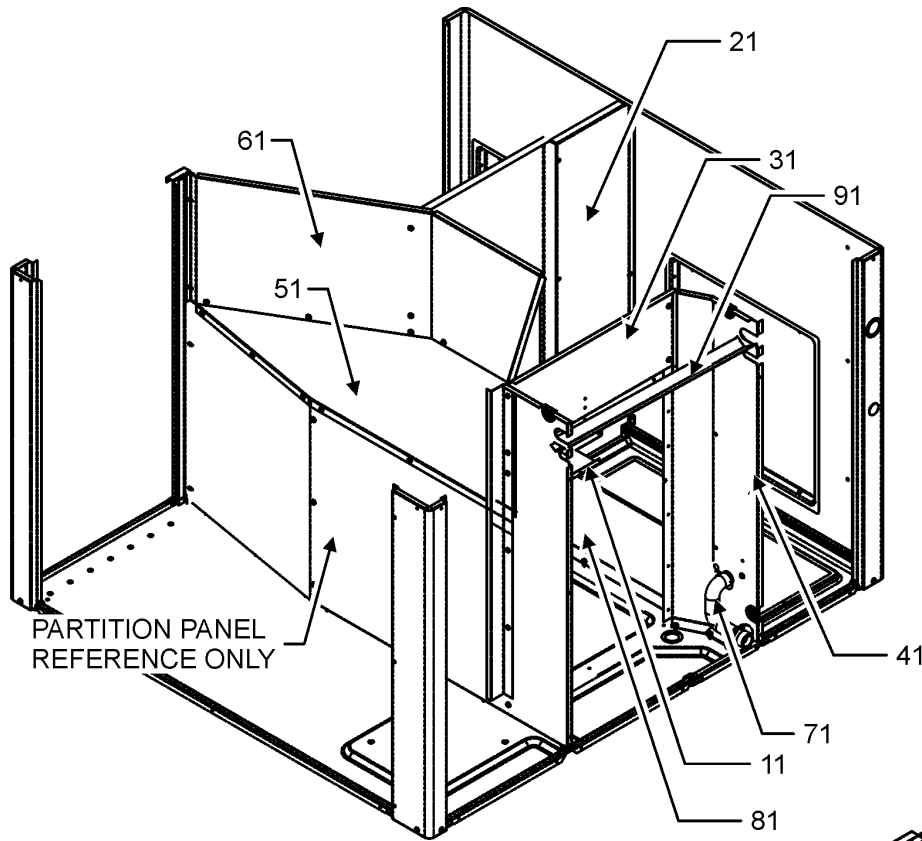
Image 1:

11	0150G00003	BLADE, FAN 26 SWEPT WING (M4, M5)
11	0150G00002	FAN BLADE SWP/W (M2, M3)
11	0150M00008	FAN BLADE, 22" TNT2203-25 (M1)
21	0131M00847	MOTOR, 1/4 HP, 1 SP, 6 PL (M4, M5)
21	0131M00836	MOTOR, 1/4HP,1SP,8PL,AL (M2, M3)
21	0131M00979	MOTOR, 1/6 HP, 1SP, 8PL,AL (M1)
31	0152G00003	GRILLE-FAN
41	0121G00887PDG	PNL, TOP, PNT
51	M0221817	SMALL SCREW (QTY 2)
61	0163M00006P	ACORN NUT 5/16 HEX BLACK (QTY 4)
71	0161R00002P	CONDUIT
101	20464804PDG	DOOR-COMPRESSOR 38 (M1, M2, M3)
101	20464809PDG	DOOR-COMPRESSOR 40 W/PAINT (M4, M5)
111	20467701PDG	PANEL - COND SIDE 32 W/PAINT (M1, M2, M3)
111	20467702PDG	PANEL - COND SIDE 40 W/PAINT (M4, M5)
121	20466101PDG	UTILITY PANEL 32 W/PAINT (M1, M2, M3)
121	20466102PDG	UTILITY PANEL 40 W/PAINT (M4, M5)
131	0121G00917DG	PANEL, DUCT, 40" PNT-DG (M4, M5)
131	0121G00802DG	PNL, DUCT, GAS 32.5" PNT (M1, M2, M3)
141	0121G00460	POST-SUPPORT, SIDE (M1, M2, M3)
141	0121G00615	POST-SUPPORT, SIDE 40 (M4, M5)
161	0121G00728DG	PANEL-COND LOUVERED 32 (M1, M2, M3)
161	0121G00729DG	PANEL-COND LOUVERED 40 (M4, M5)
171	20464801PDG	DOOR - BLOWER 32 W/PAINT (M1, M2, M3)
171	20464806PDG	DOOR - BLOWER 40 W/PAINT (M4, M5)
181	20464802PDG	DOOR-EVAP/CONTROL 32 W/PAINT (M1, M2, M3)
181	20464807PDG	DOOR-EVAP/CONTROL 40 W/PAINT (M4, M5)
191	0121G00526DG	DOOR-HT EXCHANGE 32 (M1, M2, M3)
191	0121G00527DG	DOOR-HT EXCHANGE 38 (M4, M5)
241	0121G00290	RAIL, BASEPAN, PKG (QTY 2)
251	20464201PDG	CRNR POST-COMP END 32 W/PAINT (M1, M2, M3)
251	20464202PDG	CRNR POST-COMP END 40 W/PAINT (M4, M5)
261	20464301PDG	CRNR POST-HPIN END 32 W/PAINT (M1, M2, M3)
261	20464302PDG	CRNR POST-HPIN END 40 W/PAINT (M4, M5)
NS	TP-109B	AL COIL-APPROVED CLEANING LIST
NS	0270G00500	FLUE HOOD ASSY
NS	PWGMFG	GOODMAN PRODUCT WARRANTY
NS	HI-116G	HOMEOWNERS MANUAL
NS	IOG-3028	INSTALLATION INSTRUCTIONS

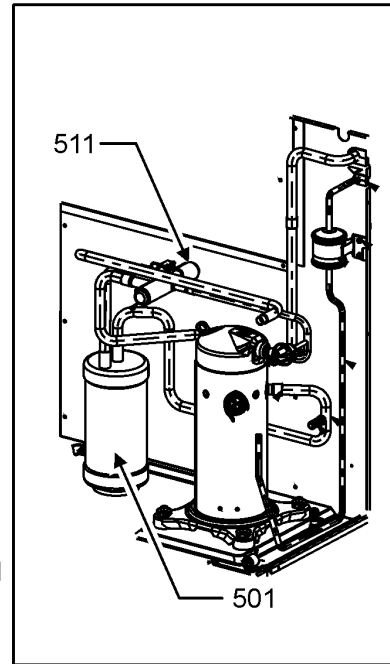
Expanded Model Nomenclature

- | |
|---------------------|
| M1 - GPDM32406041AA |
| M2 - GPDM33008041AA |
| M3 - GPDM33608041AA |
| M4 - GPDM34210041AA |
| M5 - GPDM34810041AA |

Partition and Tubing Assembly

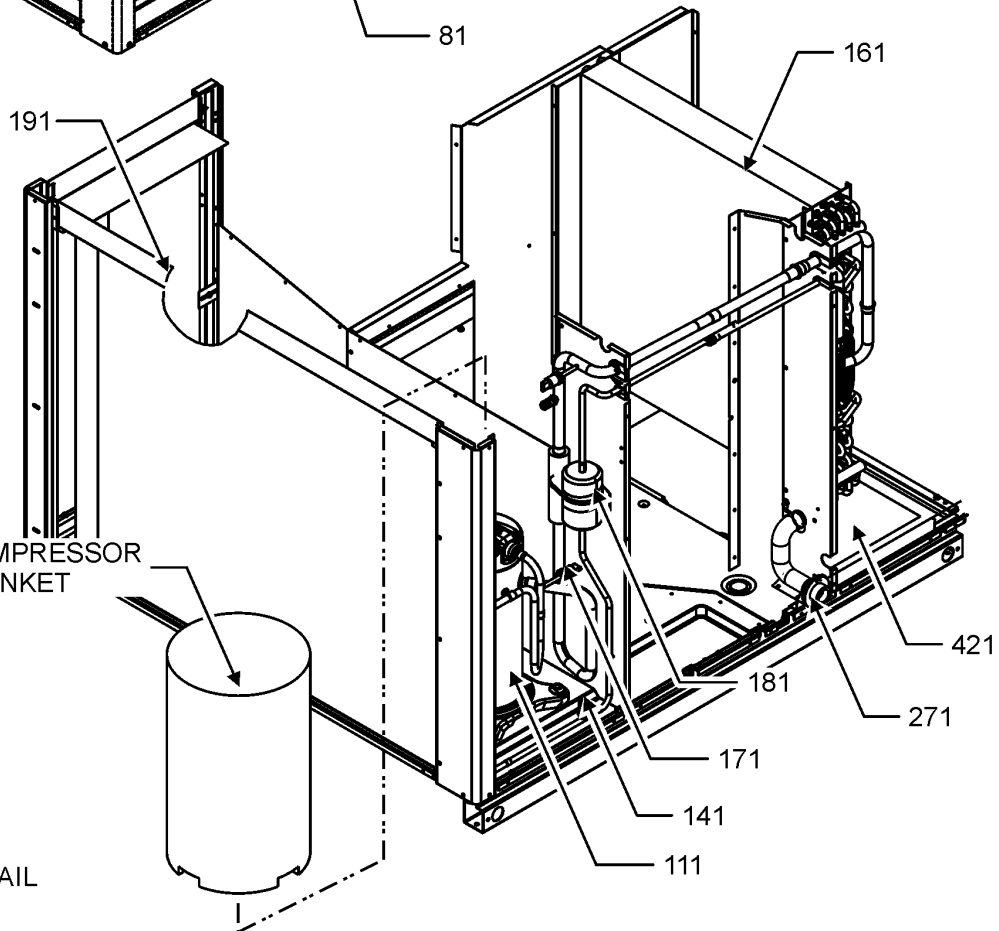


PARTITION ASSEMBLY



TUBING ASSEMBLY

TUBING ASSEMBLY
MAY DIFFER FROM
WHAT IS SHOWN



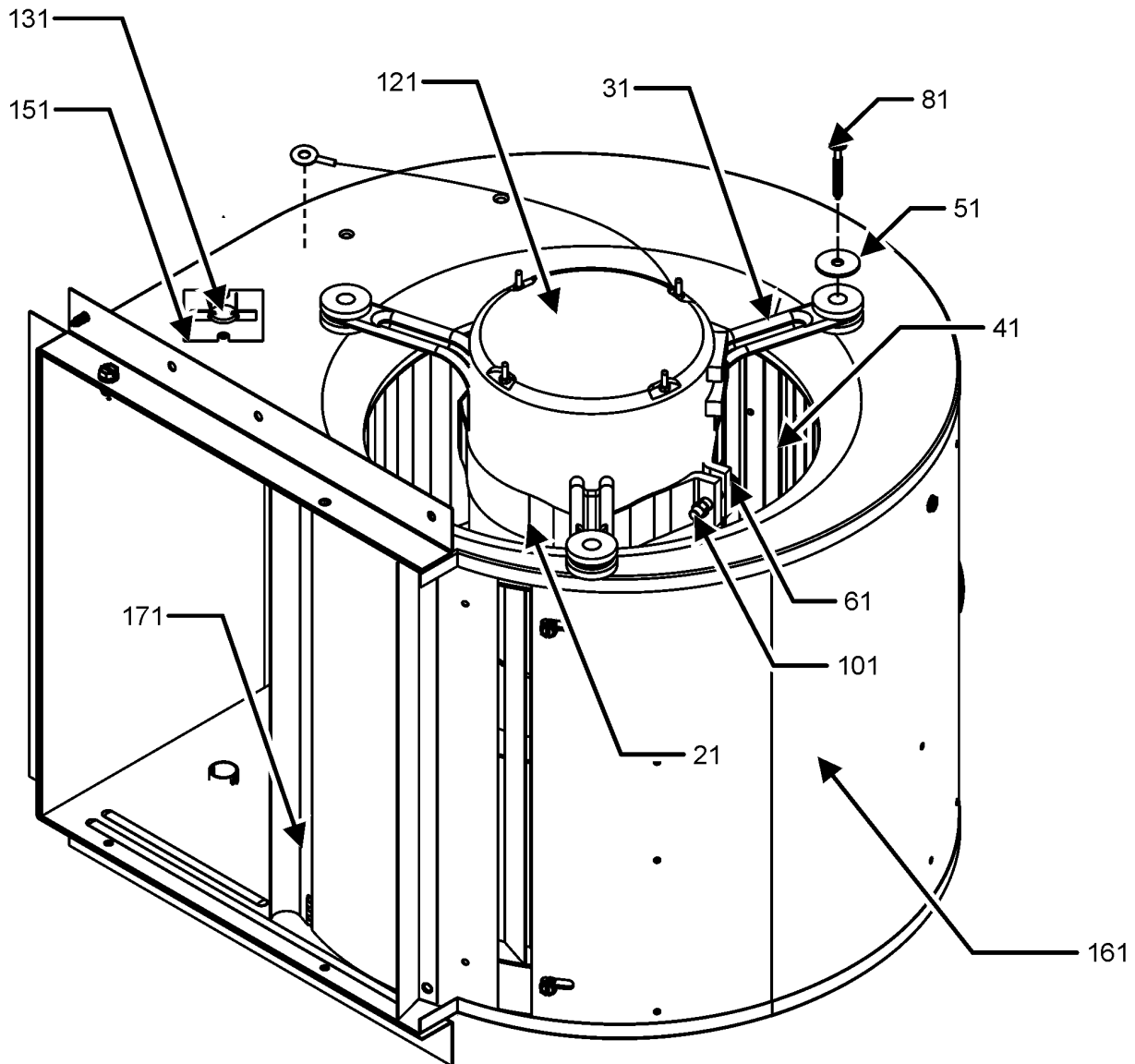
COMPRESSOR LEG DETAIL

Partition and Tubing Assembly

Ref. Part No:	No:	Description:	Ref. Part No:	No:	Description:
<i>Image 1:</i>			Expanded Model Nomenclature		
11	20472501	SHIELD-HT TUBES	M1	-	GPDM32406041AA
21	20465305	DIVIDER-BLOWER (M1)	M2	-	GPDM33008041AA
21	20465304	DIVIDER-BLOWER 32 10X9 (M2, M3)	M3	-	GPDM33608041AA
21	20465302	DIVIDER-BLOWER 38 (M4, M5)	M4	-	GPDM34210041AA
31	0121G00894	PANEL FILLER HT EXCH 32 (M1, M2, M3)	M5	-	GPDM34810041AA
31	0121G00895	PANEL FILLER HT EXCH 40 (M4, M5)			
41	0121G00757	DIVIDER, EVAP/HT EXCH 32 (M1, M2, M3)			
41	0121G00758	DIVIDER, EVAP/HT EXCH 38 (M4, M5)			
51	20465701	FAN PARTITION SHELF			
61	20465801	SURROUND-FAN 32 (M1, M2, M3)			
61	20465802	SURROUND-FAN 40 (M4, M5)			
71	20498302	TUBE-DRAIN 32 (M1, M2, M3)			
71	20498301	TUBE-DRAIN 40 (M4, M5)			
81	20463802	BLOCK-EVAP/BPAN 32 (M1, M2, M3)			
81	20463801	BLOCK-EVAP/BPAN 40 (M4, M5)			
91	0121G00555	DRAIN CHANNEL, SUCTION TUBE			
111	ZP21K5EPFV130	COMP,21300,208/230/60/1 (M1)			
111	ZP25K5EPFV130	COMP,25200,208/230/60/1 (M2)			
111	ZP34K5EPFV130	COMP,34500,208/230/60/1 (M4)			
111	ZP39K5EPFV130	COMP,39000,208/230/60/1 (M5)			
111	ZP31K7EPFV130	COMPRESSOR, COPELAND (M3)			
141	B1373315	ACCESS FITTING (QTY 2)			
161	0202G00571	COIL TUBING ASSY (M5)			
161	0202G00659	EVAP COIL ASSY (M1)			
161	0202G00660	EVAP COIL ASSY (M2)			
161	0202G00661	EVAP COIL ASSY (M3)			
161	0202G00662	EVAP COIL ASSY (M4)			
171	0130M00074	HIGH PRESSURE SWITCH			
181	0162R00056	FILTER/DRIER-BI-FLOW			
191	0201G00474	ASSY., COND COIL TUBING (M1)			
191	0201G00475	ASSY., COND COIL TUBING (M5)			
191	0201G00457	COND COIL ASSY (M4)			
191	0201G00258	COND COIL TUBING ASSY (M2, M3)			
241	M0221641	SCREW-SHOULDER TF (QTY 4)			
251	B1339533	COMPRESSOR GROMMET (QTY 4)			
271	20513001	EVAP DRAIN FITTING			
421	20464901DF	DRAIN PAN-EVAP COIL			
501	B1226206	ACCUMULATOR (M1, M2, M3)			
501	B1226207	ACCUMULATOR (M4, M5)			
511	0151R00069	REVERSING VALVE (M1, M2, M3)			
511	0151R00071	REVERSING VALVE (M4, M5)			
NS	0163M00175	CAP WITH O-RING (QTY 2)			
NS	0130M00099	CONTROL, DEFROST (M1, M2, M3)			
NS	0130M00101	CONTROL, DEFROST (M4, M5)			
NS	0130M00659	CONTROL, DEFROST (M4)			
NS	0164M00111	GROMMET D (QTY 2)			
NS	0164M00110	GROMMET-HORSESHOE			
NS	20333401	GROMMET-HORSESHOE			
NS	20333501	GROMMET-HORSESHOE			
NS	20477501	GROMMET-HORSESHOE			
NS	0159G00014	HARNESS-COMP SCROLL (M1, M2, M3)			
NS	0159G00015	HARNESS-COMP SCROLL (M4, M5)			
NS	B1810011	HOSE CLAMP 1.25 (QTY 2)			
NS	0130M00075	LOW PRESSURE SWITCH			

Blower Assembly

BLOWER ASSEMBLY



BLOWER ASSEMBLY MAY DIFFER FROM WHAT IS SHOWN

Blower Assembly

Ref. Part No:	Ref. Part No:	Description:	Description:
Image 1:			
21	0121M00038	MOTOR MOUNT BAND	
31	B1376857	MOTOR MOUNT ARM (QTY 3)	
41	B1368058	Blower Wheel (10 X 8) (M1)	
41	B1368000	BLOWER WHEEL (11 X 10) (M4, M5)	
41	D6723303	WHEEL-BLOWER (M2, M3)	
51	B1392918	WASHER FLAT 1/4 ID X 1 OD (QTY 3)	
61	B1393323	SCREW,MACHI HWH 1/4-20X1 1/2 BZ	
81	M0250565	TC SCREW 1.25" (QTY 3)	
101	B1393800	LOCKNUT, NYLON, INSERT 1/4, 20	
121	0131M00747M	CONTROLLERLESS MOTOR (M4, M5)	
121	0131M00750M	CONTROLLERLESS MOTOR (M1, M2, M3)	
121	0131G00158	PROGRAMMED CONTROLLER (M1)	
121	0131G00159	PROGRAMMED CONTROLLER (M2)	
121	0131G00160	PROGRAMMED CONTROLLER (M3)	
121	0131G00161	PROGRAMMED CONTROLLER (M4)	
121	0131G00162	PROGRAMMED CONTROLLER (M5)	
131	20269903	LIMIT	
151	2509503	BRACKET F/ROLLOUT SWUT SWITCH	
161	0271G00024	BLOWER HOUSING ASSY (10X9) (M2, M3)	
161	2539309	BLOWER HOUSING ASSY (11X10) (M4, M5)	
161	0271F00001P	BLWR HSG ASSY 10 X 8-2 SPD UF (M1)	
171	764742	BLOCK OFF - BLOWER (M2, M3)	
171	1864703	BLOWER CUT-OFF ASM,5TON,MORRIS (M4, M5)	
171	764740	BLWR BLK-OFF,10X8 (M1)	
NS	0121G00148	SINGLE COVER, DOWN DISCHARGE (QTY 2)	

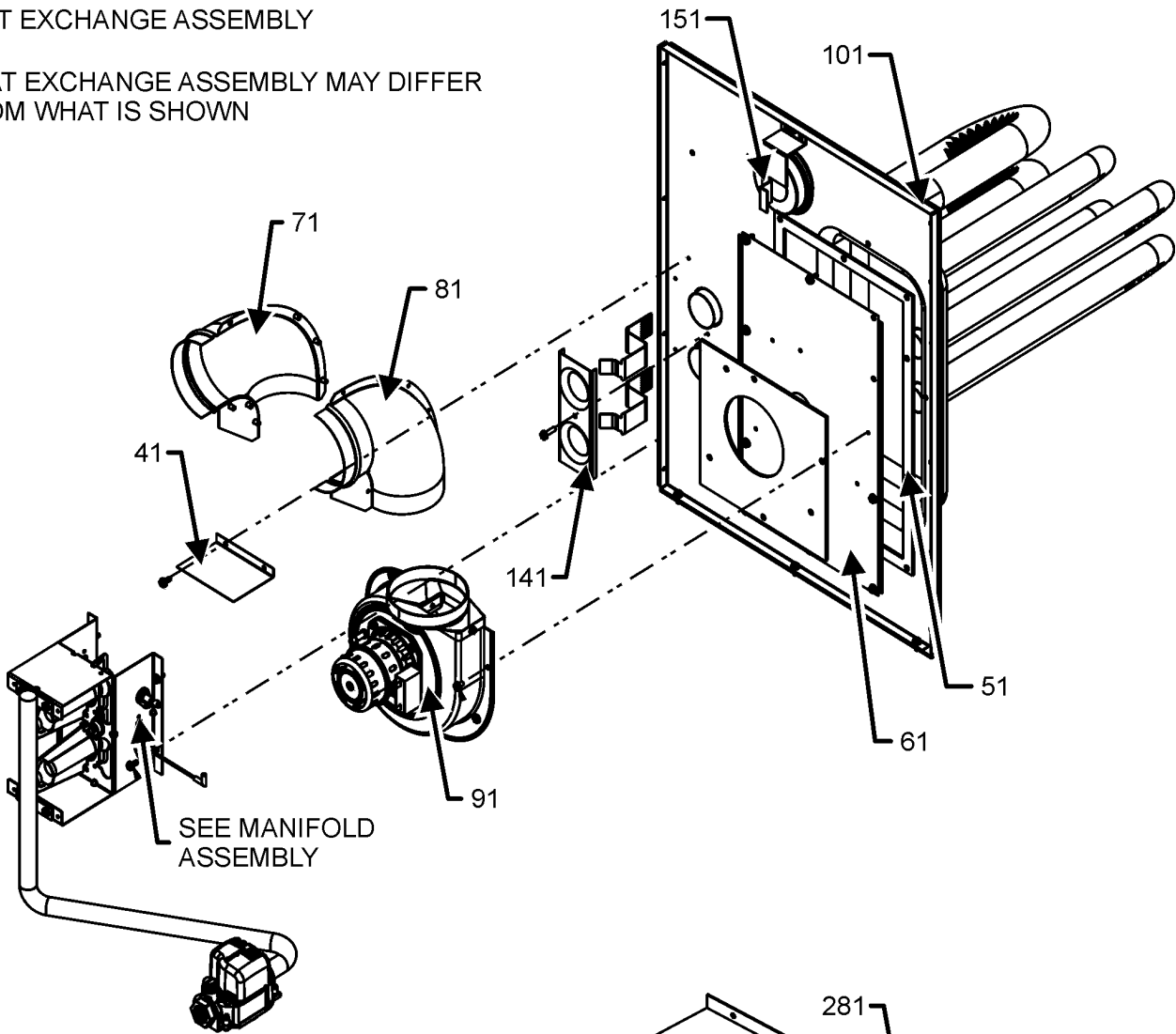
Expanded Model Nomenclature

M1 - GPDM32406041AA
M2 - GPDM33008041AA
M3 - GPDM33608041AA
M4 - GPDM34210041AA
M5 - GPDM34810041AA

Heat Exchange and Manifold Assembly

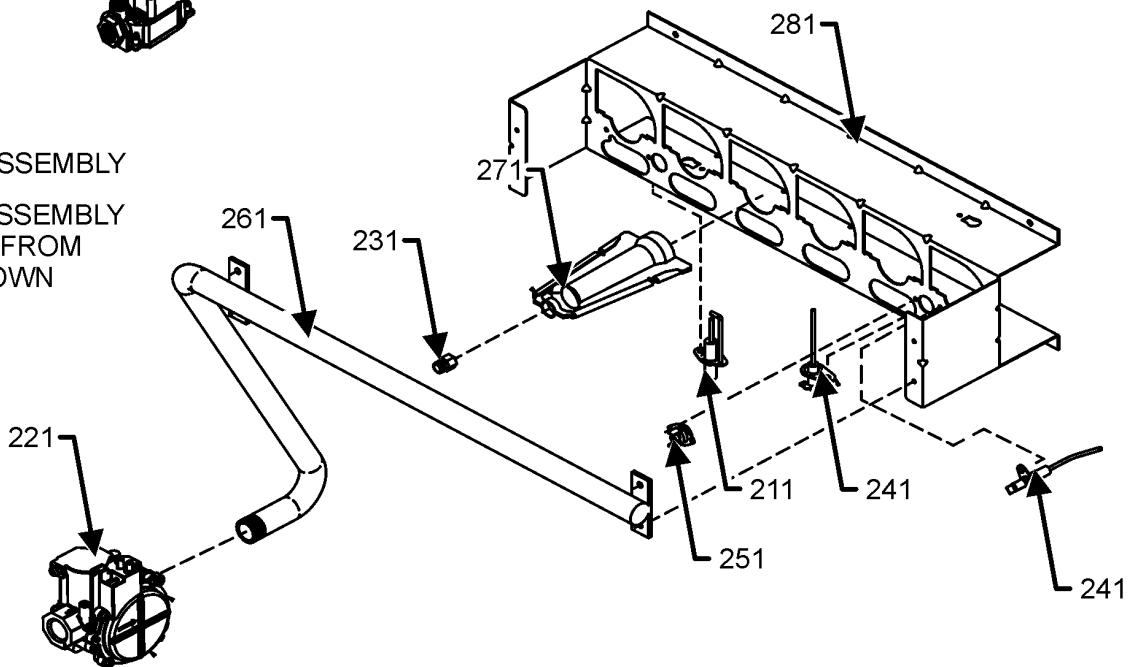
HEAT EXCHANGE ASSEMBLY

HEAT EXCHANGE ASSEMBLY MAY DIFFER FROM WHAT IS SHOWN



MANIFOLD ASSEMBLY

MANIFOLD ASSEMBLY MAY DIFFER FROM WHAT IS SHOWN



Heat Exchange and Manifold Assembly

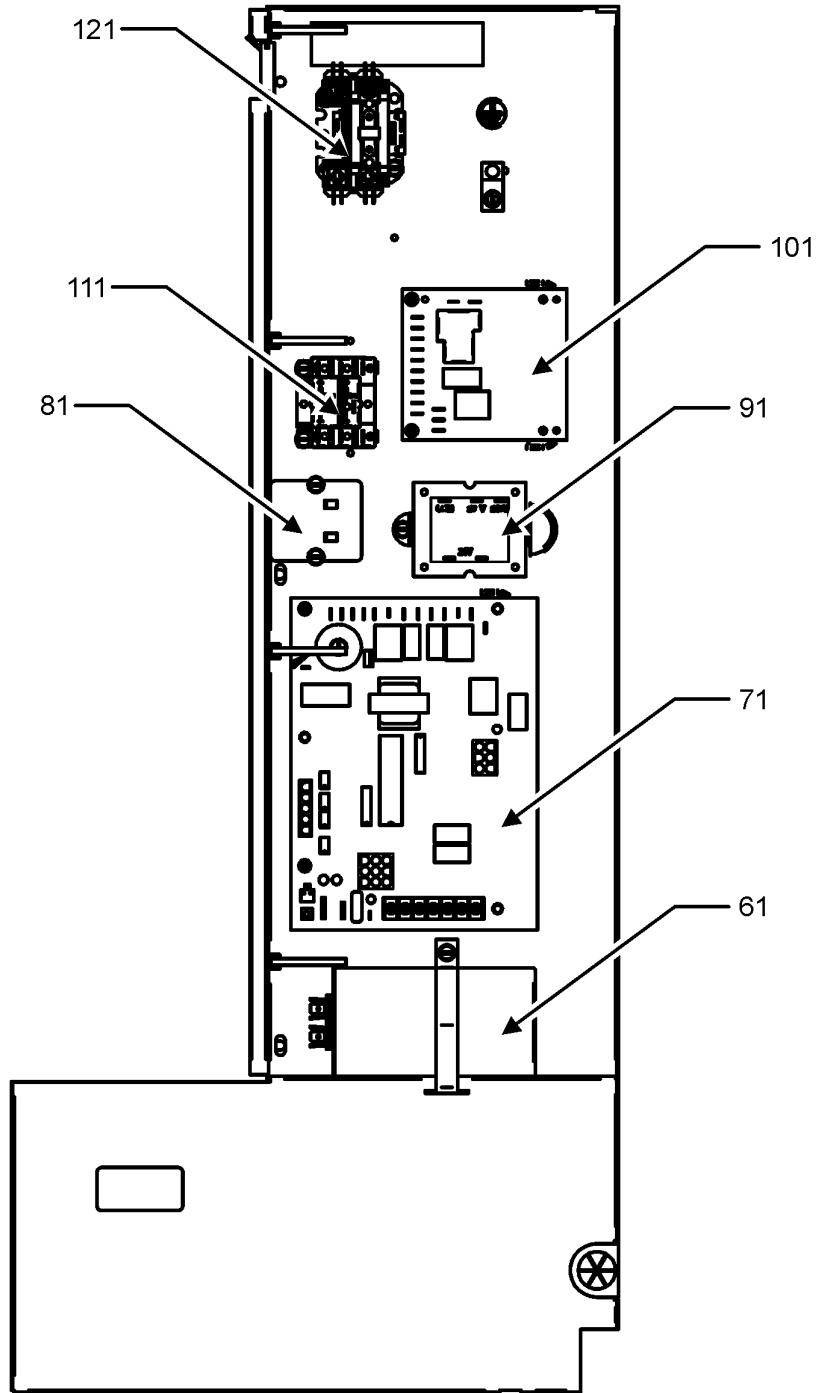
Ref. Part No:	Ref. Part No:	Description:	Description:
Image 1:			
41	11190202	DEFLECTOR HEAT PKG	
51	0154G00020	GASKET-ID BLOWER & PLATE (M1, M2, M3)	
51	0154G00021	GASKET-ID BLOWER & PLATE (M4, M5)	
61	0121G00740	PLATE-ID BLOWER (M1)	
61	0121G00743	PLATE-ID BLOWER (M4, M5)	
61	0121G00747	PLATE-ID BLOWER (M2, M3)	
71	20484401	FLUE ELBOW LEFT	
81	20484402	FLUE ELBOW RIGHT	
91	0131G00001	MOTOR, ID BLOWER	
101	20490707	PART/TUBE ASSY 3B (M1)	
101	20490703	PART/TUBE ASSY 4B (M2, M3)	
101	20490705	PART/TUBE ASSY 5B (M4, M5)	
141	11072202	SHIELD-ORF CO FUR (M1)	
141	11072203	SHIELD-ORF CO FUR (M2, M3)	
141	11072204	SHIELD-ORF CO FUR (M4, M5)	
151	11112501	PRESSURE SWITCH	
211	0130F00014	IGNITOR	
221	0151F00000P	GAS VALVE	
231	10716005	ORIFICE (QTY 3)	
241	0130F00010	FLAME SENSOR	
251	10123532	LIMIT-RESET MAN-GRAY (M2, M3, M4, M5)	
251	10123529	LIMIT-RESET MAN-GREEN (M1)	
261	20493103	MANIFOLD- 3 BRNR 32 (M1)	
261	20493104	MANIFOLD- 4 BRNR 32 (M2, M3)	
261	20493106	MANIFOLD- 5 BRNR 38 (M4, M5)	
271	0163F00017	BECKETT BURNER (QTY 3)	
281	0121L02164	BRKT-BURNER 3B FUR (M1)	
281	20190412	BRKT-BURNER 4B FUR (M2, M3)	
281	20190413	BRKT-BURNER 5B FUR (M4, M5)	
NS	0270G00500	FLUE HOOD ASSY	

Expanded Model Nomenclature

- M1 - GPDM32406041AA
- M2 - GPDM33008041AA
- M3 - GPDM33608041AA
- M4 - GPDM34210041AA
- M5 - GPDM34810041AA

Control Panel

CONTROL BOX ASSEMBLY



SHORT CHASSIS BOX

CONTROL BOX ASSEMBLY
MAY DIFFER FROM WHAT
IS SHOWN

Control Panel

Ref. Part No:	No:	Description:	Ref. Part No:	No:	Description:
---------------	-----	--------------	---------------	-----	--------------

Image 1:

61	CAB050400440CT	CAP, 5/40 MFD/440V RD - BPRF (M1, M2, M3)
61	CAB050450440CT	CAP, 5/45 MFD/440V RD - BPRF (M4, M5)
71	PCBAG127	PCB, IGNITION, DSI, 2 STG
81	10728342	LIMIT SWITCH (M1, M2, M3)
81	10728344	LIMIT SWITCH (M4, M5)
91	0130M00138	TRANSFORMER 208/230 24V
101	PCBDM133	PCB, DEFROST CONTROL
111	0130M00025	RELAY SPDT
121	CONT1P030024V	CONT 1 POLE 30 AMP 24VAC
151	20520901	STRAP-CAPACITOR
NS	0259G00234	WIRE HARNESS 6 CIRCUIT
NS	0259G00110	WIRE HARNESS 9 CIRCUIT
NS	0259G00106	WIRE HARNESS FAN MOTOR
NS	0259G00100	WIRE HARNESS OUTDOOR THERMO

Expanded Model Nomenclature

- | |
|---------------------|
| M1 - GPDM32406041AA |
| M2 - GPDM33008041AA |
| M3 - GPDM33608041AA |
| M4 - GPDM34210041AA |
| M5 - GPDM34810041AA |